

Siegmund Workstation

The new revolutionary workbench

siegmund[®]





Siegmund Workstation – Working on a workbench redefined

For many years, Bernd Siegmund GmbH has been the world's number one manufacturer and distributor of welding and clamping systems around the world. There is a lot of know-how and experience in our products.

Our passion is to develop intelligent, future-oriented and flexible solutions for you. Therefore, we would like to share our latest development with you:

We are particularly proud to present you our new revolutionary workbench, the Siegmund Workstation.

Create your optimal workplace in the modular system. Individually, the workstation can be adapted and expanded to your needs and wishes. With the Siegmund Workstation working on a workbench is redefined!

Whether sawing, drilling or welding – the absolute all-rounder in every workshop!

„Finally a workbench on which everyone can clamp and weld.“

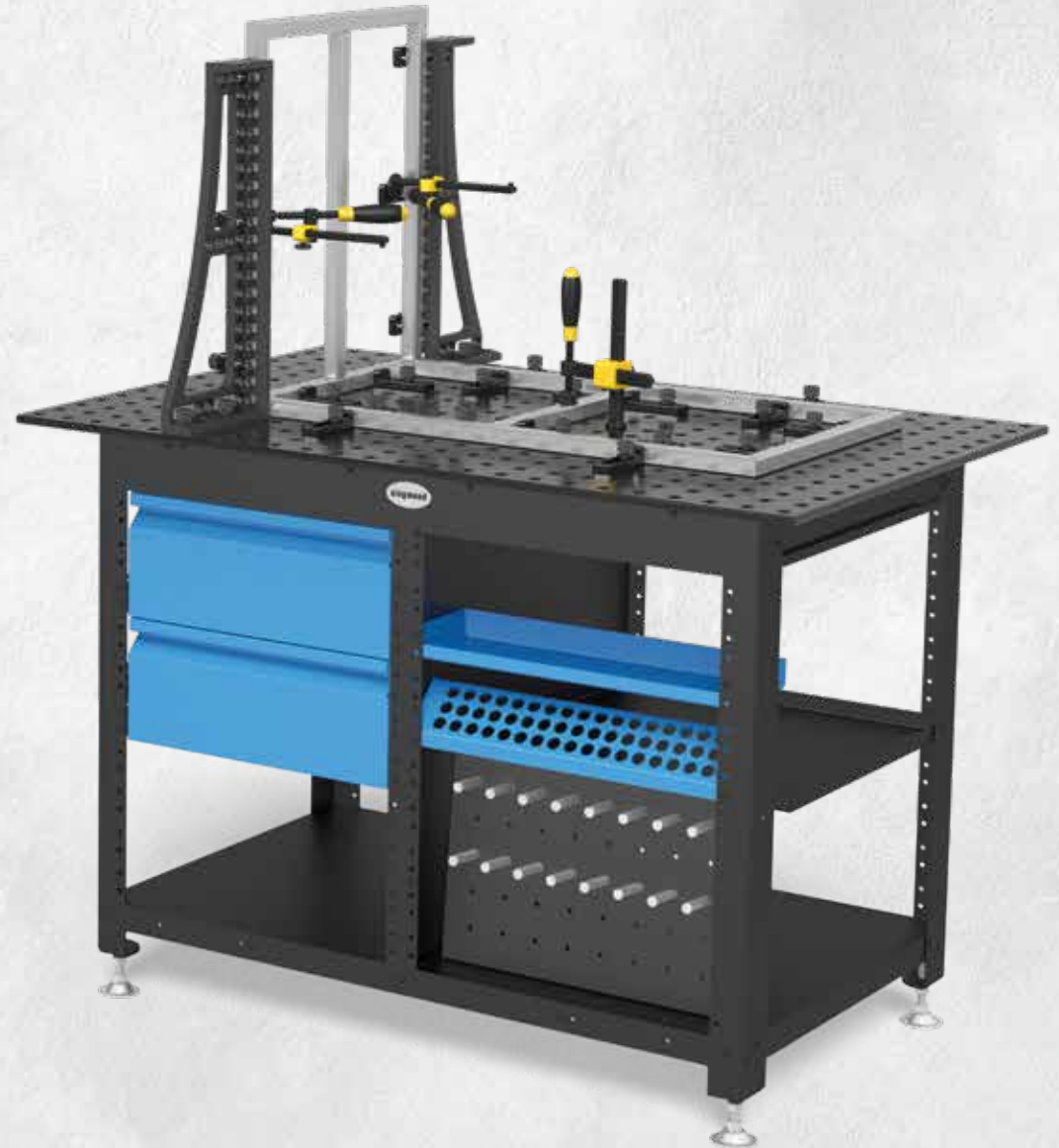
Yours Bernd Siegmund



Content

Page 4	Siegmund Workstation
Page 8	Details
Page 18	Prices
Page 20	Sets
Page 22	Bench vices
Page 28	Workstation equipment
Page 34	Accessories
Page 54	Practical examples
Page 62	Further systems
Page 64	Workstation live

SIEGMUND WORKSTATION



The new revolutionary workbench – Siegmund Workstation



COMPACT

Creating customized furniture requires many work steps. The Siegmund Workstation offers all tools in one place.

STRONG

Whether light or heavy railing, the Siegmund Workstation provides an ideal entry into the world of metal processing.

MOBILE

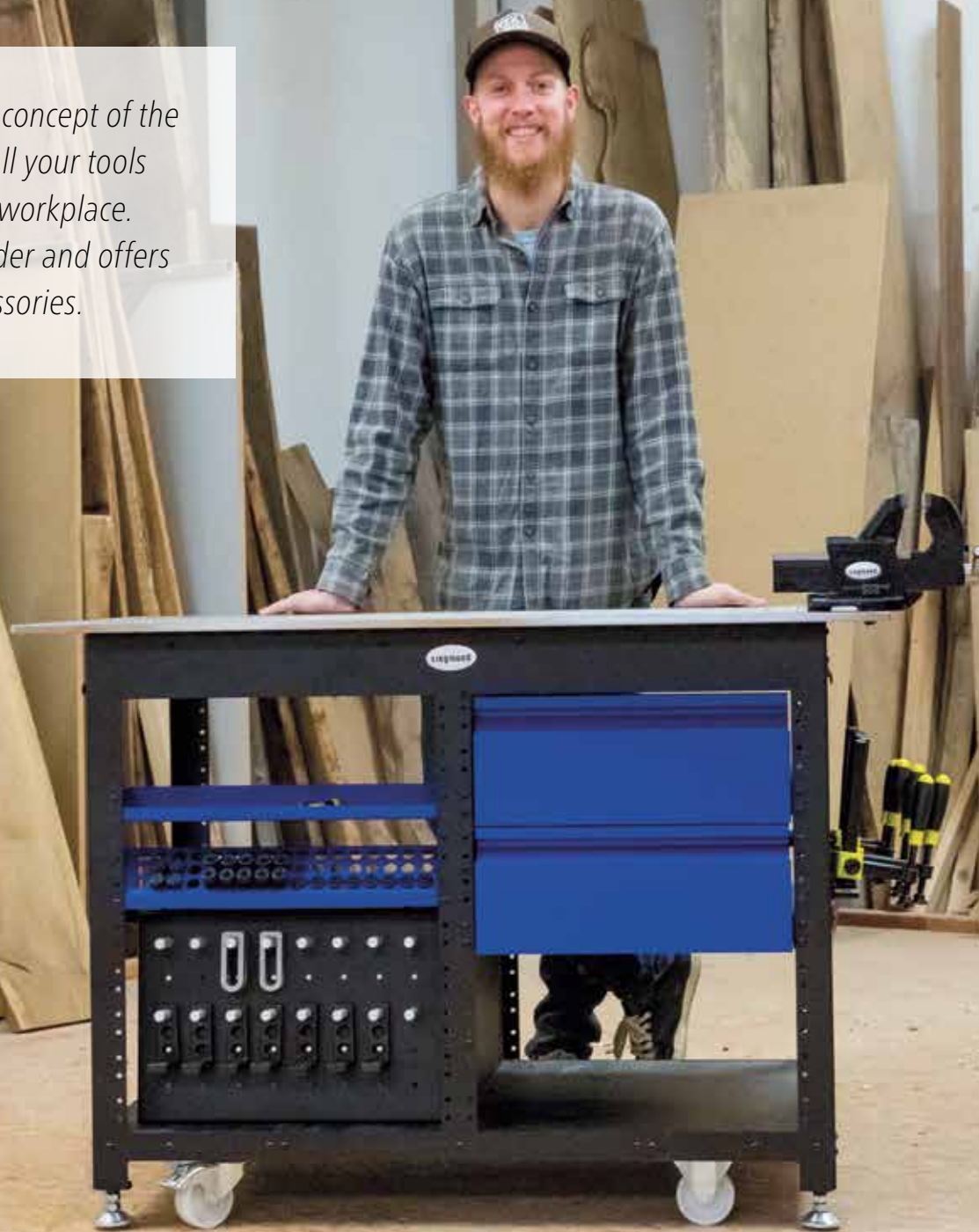
If needed, the Siegmund Workstation becomes a mobile workplace. Your location can be changed at any time, for saving time and space.

VERSATILE

Everyone wants to realize their individual concepts. For this the Siegmund Workstation offers the best prerequisites.



Thanks to the intelligent concept of the Sigmund Workstation all your tools are always within reach at your workplace. This creates an overview and order and offers you enough space for your accessories.



SIEGMUND WORKSTATION

THE ALL-ROUNDER IN EVERY WORKSHOP



THE ESSENTIAL COMPONENT OF EVERY WORKBENCH – THE WORKTOP!

A work plate has to withstand high loads. We have special work plates for you, according to your needs – whether sawing, drilling, welding, clamping etc.



THE BASE – A STURDY FRAME

The sturdy frame offers a solid base for the most challenging tasks such as sawing, grinding or drilling.



BENEFIT FROM THE VERSATILITY

When working with wood or metals the Workstation offers maximum versatility to expand all ideas and projects. Even tools can be stored in the heavy duty steel drawers below.

BASIC MODEL

Perforated plate Tool Steel

Dirt protection

Clamp holder

Drawer

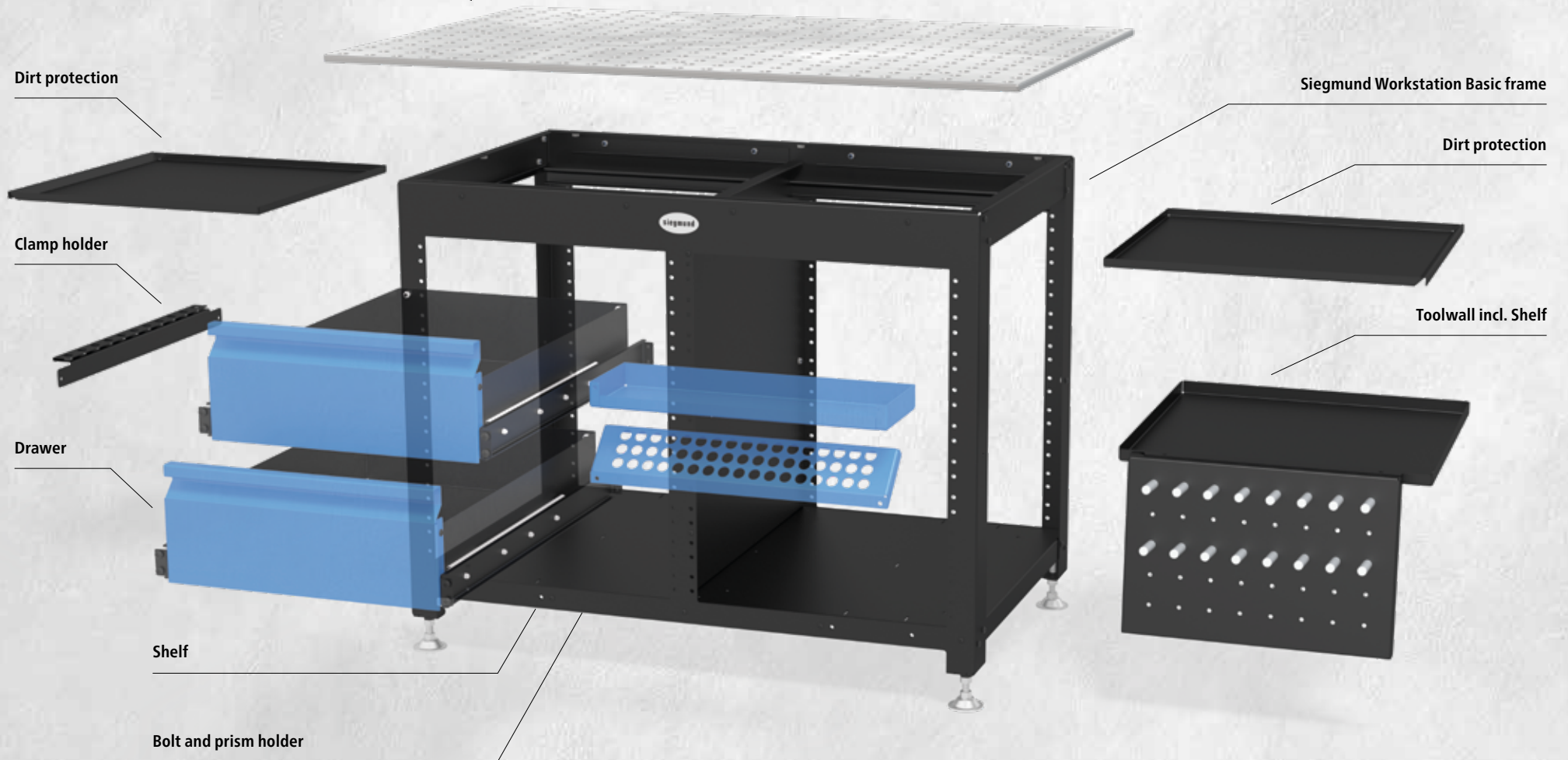
Shelf

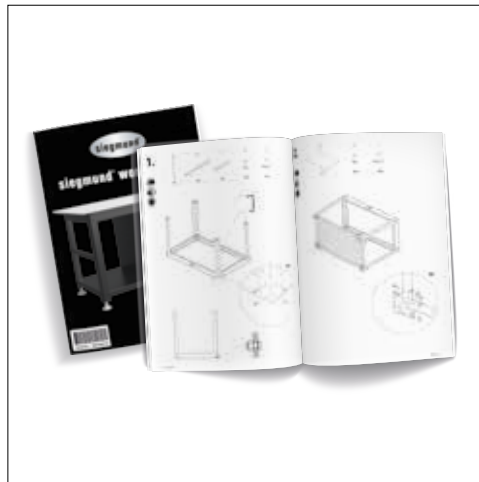
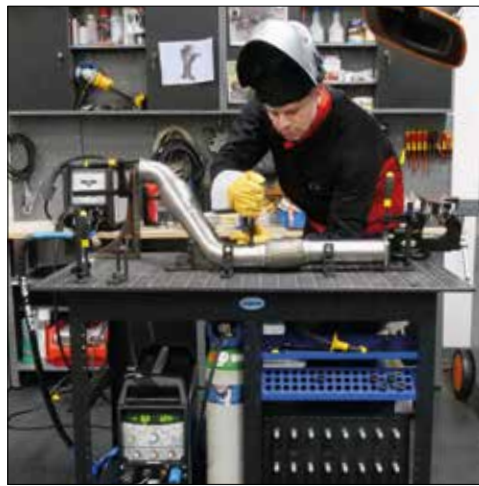
Bolt and prism holder

Siegmund Workstation Basic frame

Dirt protection

Toolwall incl. Shelf





Basic model

The Siegmund Workstation provides a durable and solid working basis for every craft, whether for the private workshop or for the industry. The basic idea of the Workstation is as simple as it is ingenious: a modular system. Choose from various shelves, drawers and perforated plates and create your Workstation exactly to the requirements of your projects. The great thing is that you can extend or rebuild the Workstation at any time.

Dimensions Workstation (L x W x H): 1200 x 800 x 850 mm
Weight Workstation without castors or drawers: approx. 144 kg

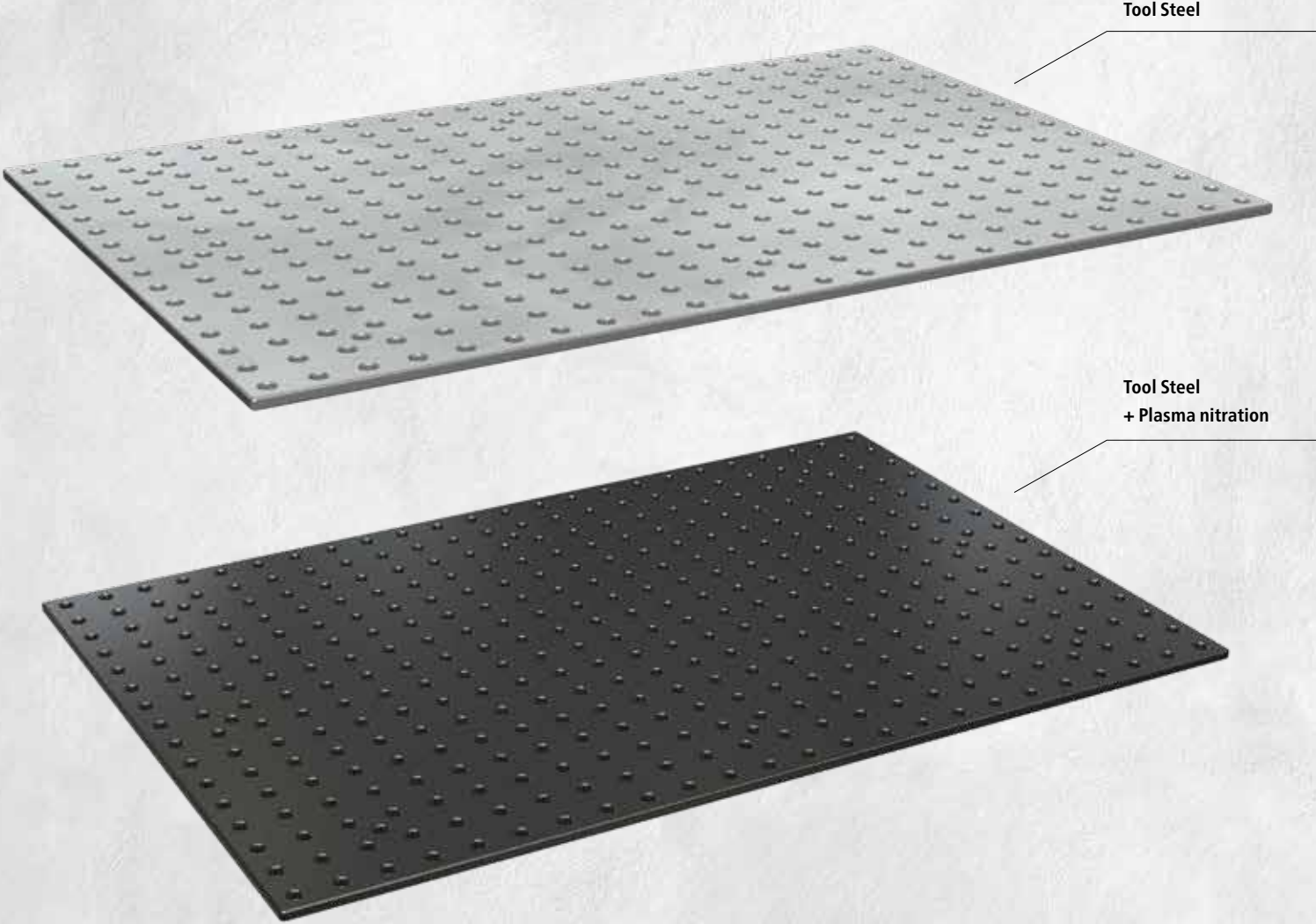
Assembly and setup

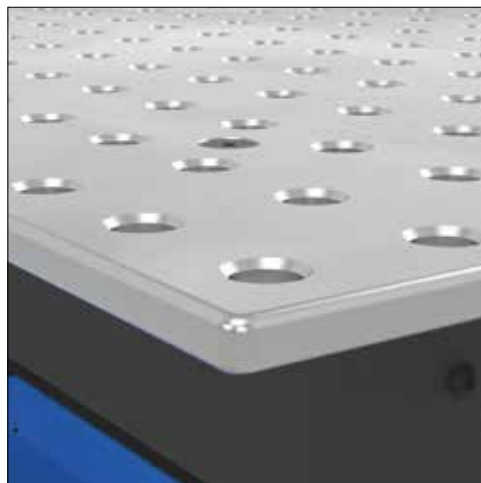
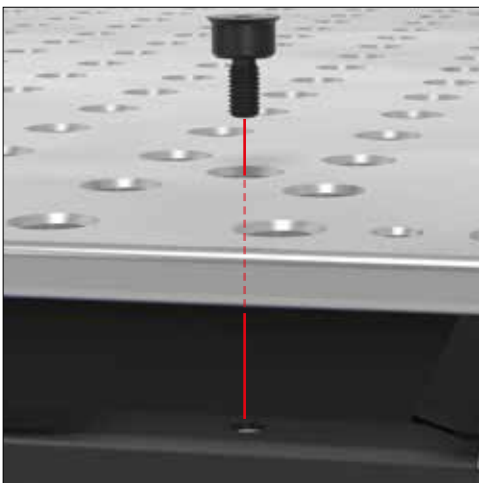
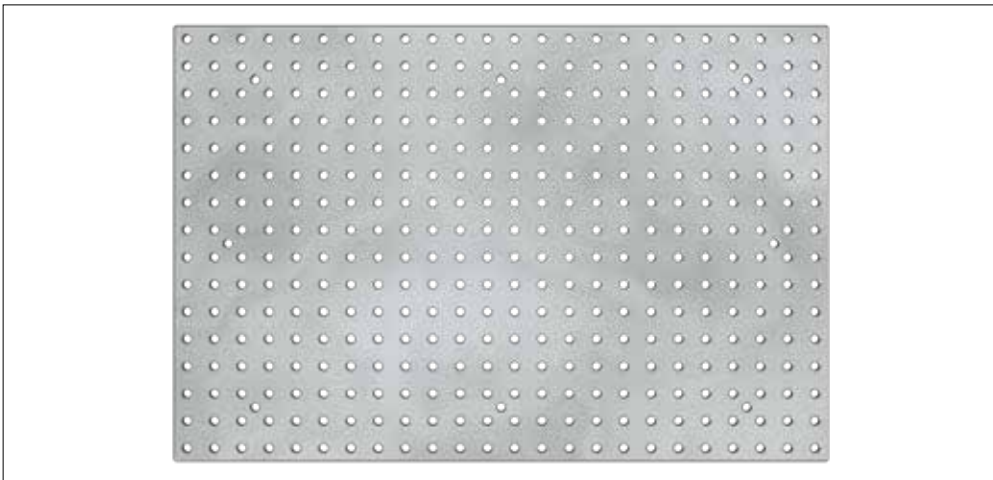
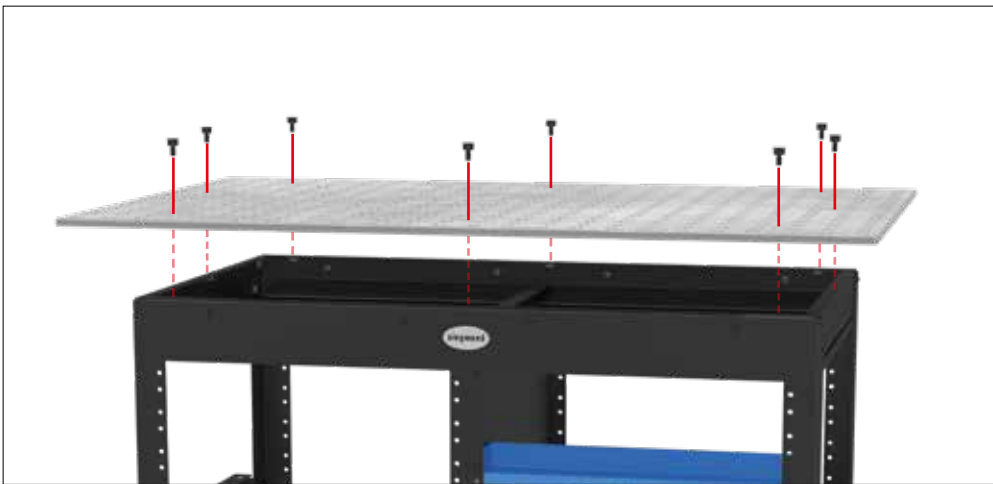
Easy to follow, step by step assembly instructions are included with every workstation.



www.siegmund.com/workstation-howto

PERFORATED PLATE





Perforated Plates

The bore holes have a diameter of 16 mm and are arranged on the table surface in a 50 mm grid.

Siegmund accessories are of course compatible with the Siegmund Workstation.

Dimensions perforated plate:

1200 x 800 mm

Material

Material thickness:

12 mm

Basic hardness:

approx. 280 – 340 Vickers

Tool Steel

Through-hardened tool steel X8.7

Tool Steel + Plasma nitration

Through-hardened tool steel X8.7, plasma nitrided and BAR-coated

Your advantage:

Scratch resistant, excellent impact resistance, high point load and a long service life

With plasma nitration:

Well protected against rust, scratches and weld spatter.

DIRT PROTECTION





Dirt protection

Two sheets below the table plate protect your tools from weld spatter and dirt. For cleaning, you can pull out both sheets like drawers.



SPACE FOR CREATIVITY





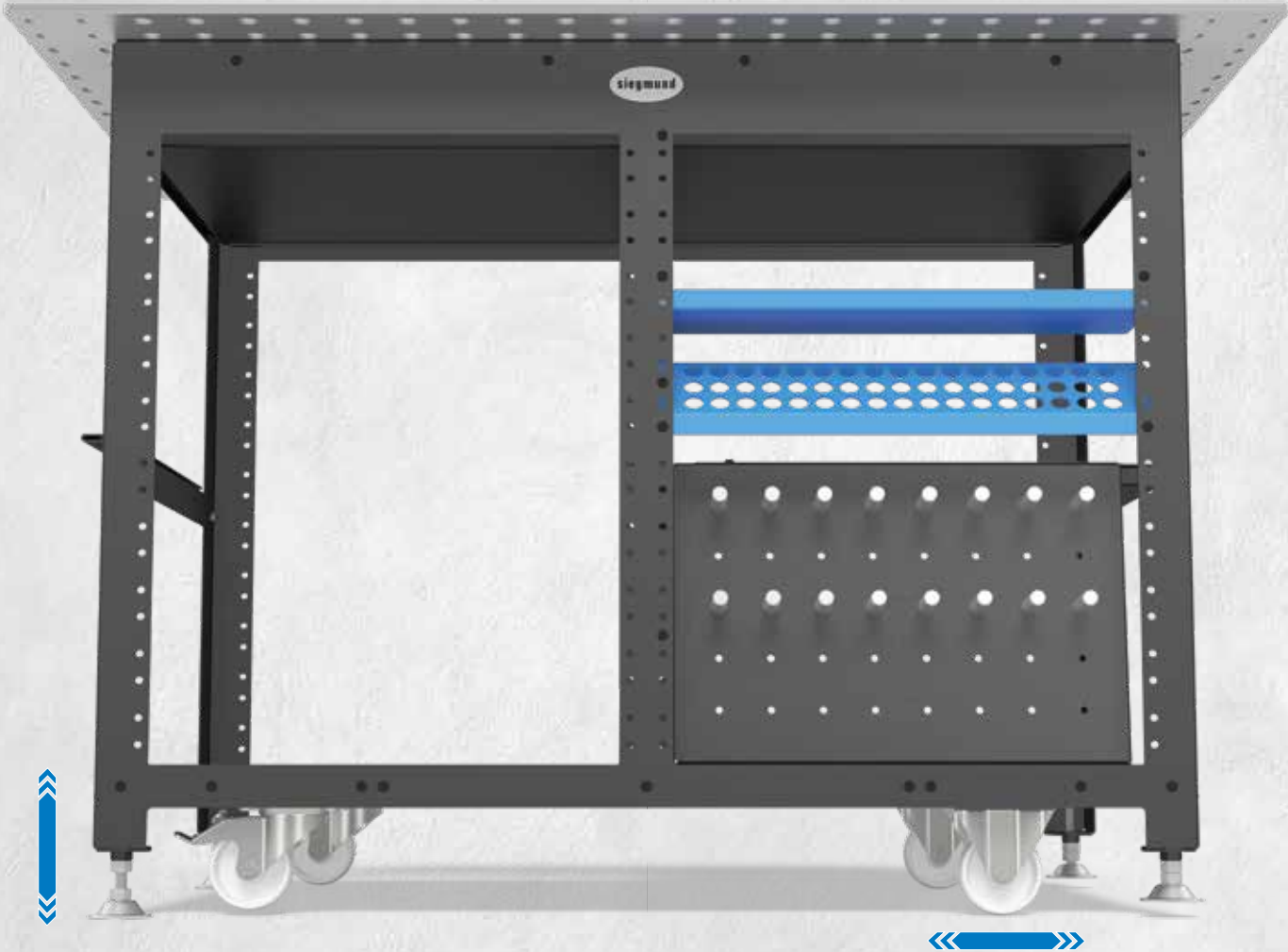
Design your own personal workplace

The Siegmund Workstation features defined storage for tooling and accessories that can be shelved for easy reach. You can custom, build or retrofit your workstation with drawers at various heights to increase storage capability. Here you will find space for any type of tool. Upgrading is possible at any time.

600 mm space for drawers on the left and on the right side.



LEGS





Bearing load

The Siegmund Workstation with base plate bears a total weight of approx. 1.000 kg. Please note when using the castors, the load capacity is reduced to approx. 400 kg.

Legs

The combined leg and optional castor give mobility to the Siegmund Workstation. Base plates have fine adjustment to enable a precise work surface. (Caster optional)

By adjusting the baseplate up- or downwards, you can switch between foot and caster.



PRICES

Version 1

Perforated plate Tool Steel 8.7
1200 x 800 mm

Bore hole Ø 16 mm
Boreholes on the surface 50x50 mm grid
Material thickness approx. 12 mm
Item No. 1-164004.X07

Clamp holder
Item No. 2-164030

Siegmund Workstation Basic frame
Item No. 2-004002



600 mm space for
drawers on the left and
on the right side.

600 mm

Shelf

Item No. 2-004020

Bolt and prism holder

Item No. 2-164035

Toolwall incl. Shelf

Item No. 2-004025

Basic package

859 €

Item No. 2-164001

Surcharge

Perforated plate with Plasma nitration

100 €

Item No. 2-164004.XX

Version 2



Basic package incl. 2 drawers

948 €

Item No. 2-164003

100 €

Item No. 2-164004.XX

Version 3



Basic package incl. 4 drawers

1.043 €

Item No. 2-164005

100 €

Item No. 2-164004.XX

SETS

Tool-Set A

249 €

Item No. 2-167320



Screw Clamp
2x 160620



Clamping Bolt
6x 160510



Stop
4x 160412



Allen Wrench
1x 160852

Tool-Set B incl. bench vice

427 €

Item No. 2-167340



Screw Clamp
4x 160620



Clamping Bolt
8x 160510



Stop
6x 160412



Square
2x 160108.N



Allen Wrench
1x 160852



Standard bench vice
100 mm
1x 164301

Further information on page 23.

Siegmund Workstation incl. Set

incl. Set A

Item No. 2-167320

incl. Set B

Item No. 2-167340

**Surcharge
Plasma nitration**



**Version 1:
Basic package Siegmund Workstation**

Weight approx. 144 kg
Item No. 2-164001

1.108 €

Item No. 2-167321

1.286 €

Item No. 2-167341

100 €

Item No. 2-164004.XX



**Version 2:
Basic package incl. 2 drawers**

Weight approx. 163 kg
Item No. 2-164003

1.197 €

Item No. 2-167322

1.375 €

Item No. 2-167342

100 €

Item No. 2-164004.XX



**Version 3:
Basic package incl. 4 drawers**

Weight approx. 183 kg
Item No. 2-164005

1.292 €

Item No. 2-167323

1.367 €

Item No. 2-167343

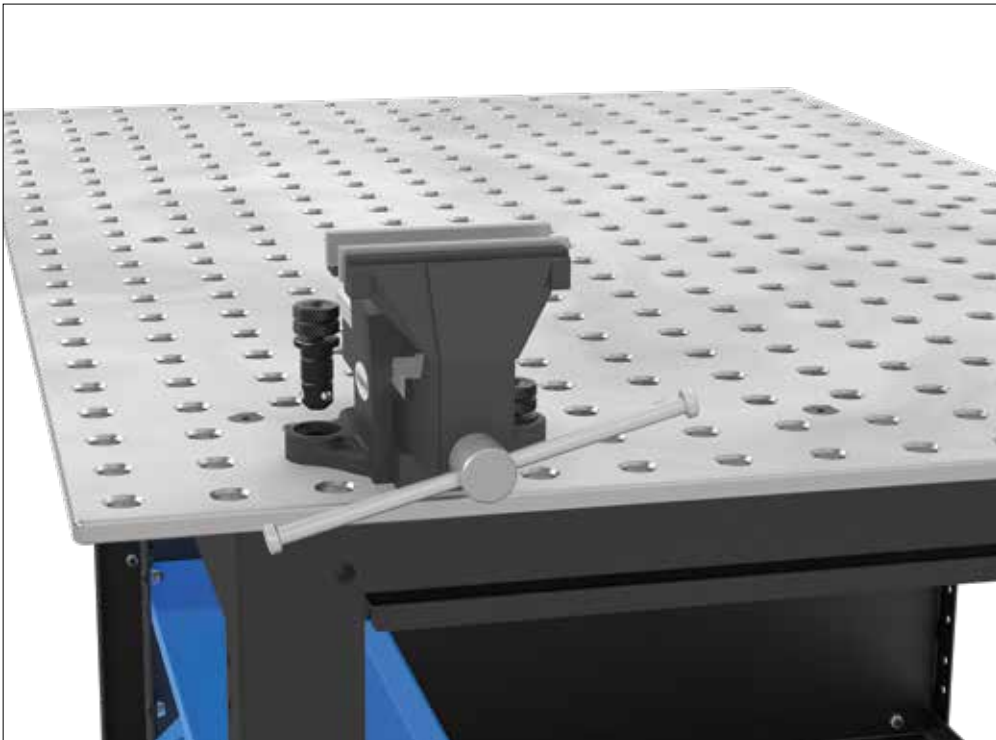
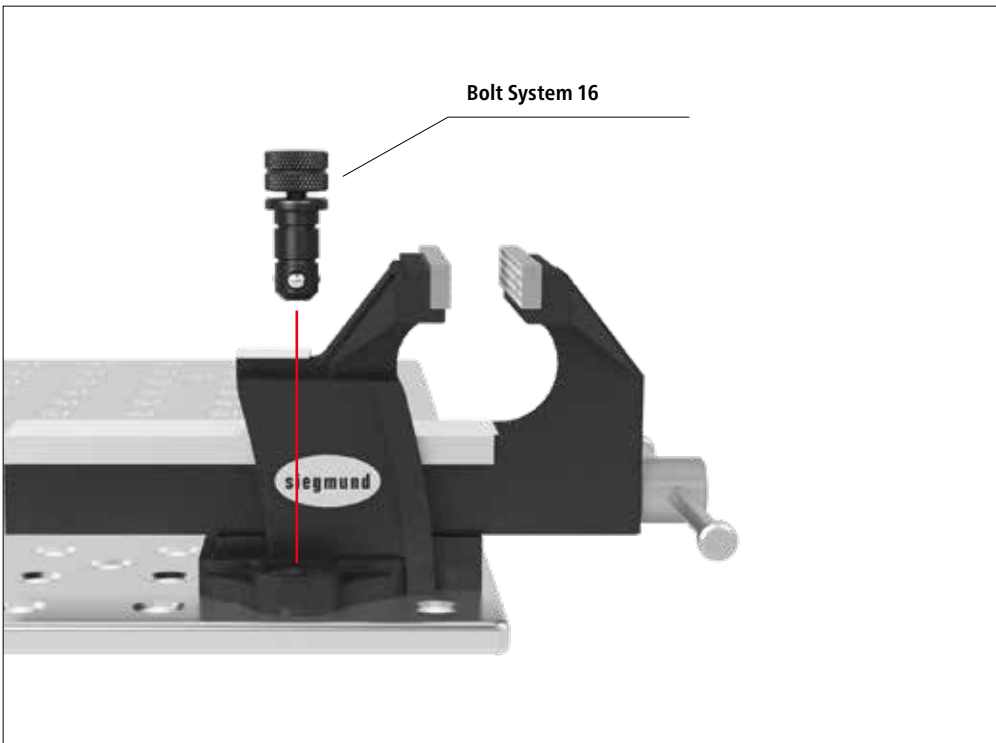
100 €

Item No. 2-164004.XX

OFFER

BENCH VICES





Clamping without adapter:

The basic equipment of each workshop is a reliable bench vice. Our Siegmund bench vice offers improved productivity. To fix the bench vice on the table, 2 fast clamping bolts system 16 and, if necessary, 2 reduction bushings are required. The standard vices are made of cast steel, the premium vices are made of welded steel.

Standard bench vice 100

Bore diameter 16 mm

89 €

Item No. 2-164301

No reduction bushing necessary.



Premium bench vice 100

Bore diameter 16 mm

132 €

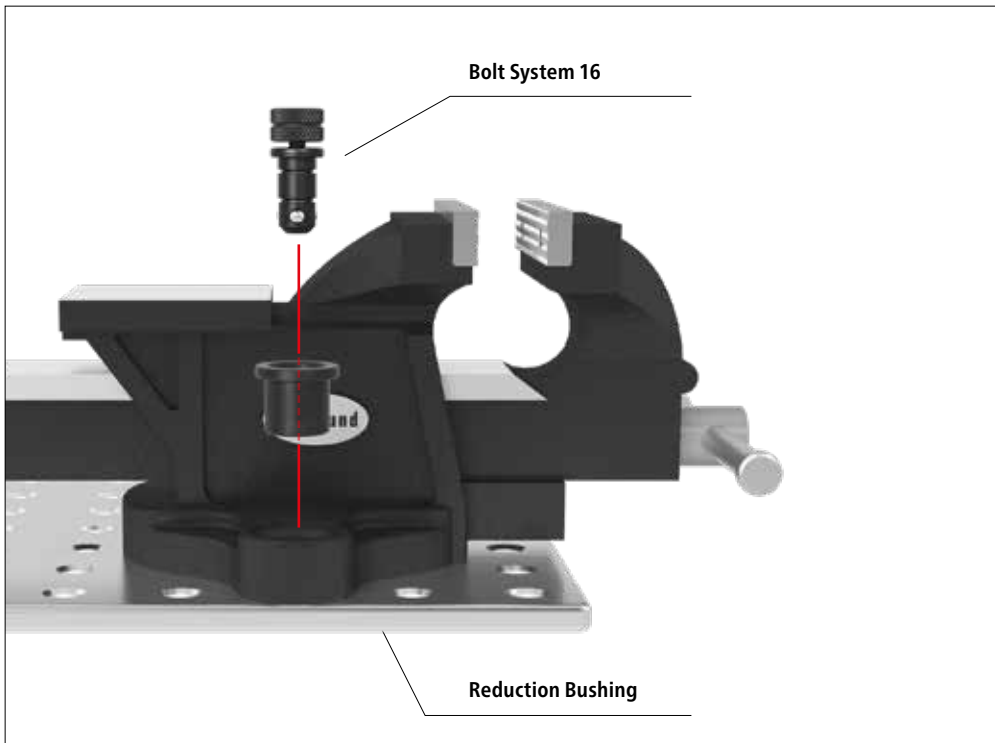
Item No. 2-004300

No reduction bushing necessary.



BENCH VICES





Clamping with adapter:

Reduction Bushing, especially developed for clamping components of bigger systems onto smaller systems. The Reducing Bushing can be fixed in the components and thereby giving the option to clamp them with bolts of smaller systems. For fixing use 2x bolt of system 16. The standard vices are made of cast steel, the premium vices are made of welded steel.



Standard bench vice 125

incl. 2x Reduction Bushing (Item No. 000546)

Bore diameter 28 mm

145 €

Item No. 2-004303.Set



Premium bench vice 125

incl. 2x Reduction Bushing (Item No. 000546)

Bore diameter 28 mm

215 €

Item No. 2-004302.Set



IN THE FIELD

SIEGMUND WORKSTATION IN ACTION



»» The Workstation facilitates all work steps that are done with hand tools - but if large machines are needed, all workpieces can be moved comfortably from one workspace to another, thanks to the castors.

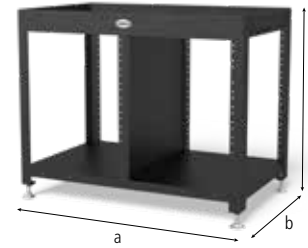
[Sebastian Bruek, Member of Habitat Augsburg e.V.]



WORKSTATION ACCESSORIES

Siegmund Workstation Basic frame

With the new Siegmund Workstation you create your perfect workplace in a modular system. The Siegmund Workstation can be adapted and expanded to fit your individual needs. Whether sawing, drilling or welding – the absolute all-rounder in every workshop! Upon delivery, you will receive assembly instructions for self-assembly.



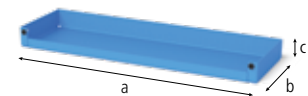
2-004002 Siegmund Workstation Basic frame 498,00 € •

Length: (a)	Width: (b)	Height: (c)	Weight:
1.030 mm	630 mm	838 mm	45,00 kg



Shelf

Shelves, pin and prism holder and tool wall can be installed both left and right.



2-004020 Shelf 20,00 € •

Length: (a)	Width: (b)	Height: (c)	TF: (g1)	Weight:
482 mm	144 mm	40 mm	10 kg	1,65 kg

TF=Load capacity;



Toolwall incl. Shelf

Shelves, pin and prism holder and tool wall can be installed both left and right.



2-004025 **Toolwall incl. Shelf** 74,00 € •

TF: (g1)	Weight:
30 kg	7,87 kg
TF=Load capacity;	

Equipment with 4 castors

By adjusting the baseplate up- or downwards, you can switch between foot and caster.



2-004100 **Equipment Workstation with 4 casters** 89,00 € •

Weight:
5,30 kg

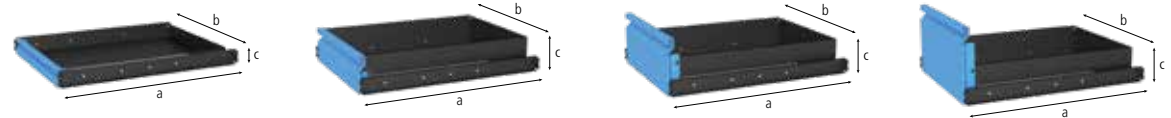
NEW

Special offer price

WORKSTATION ACCESSORIES

Drawers

You can custom, build or retrofit your Workstation with drawers at various heights to increase storage capability. Here you will find space for any type of tool. Upgrading is possible at any time.



2-004200 Drawer 60 mm 48,00 € •

Length: (a)	Width: (b)	Height: (c)	TF: (g1)	Weight:
590 mm	400 mm	60 mm	50 kg	7,50 kg



Special offer price

2-004205 Drawer 120 mm 53,00 € •

Length: (a)	Width: (b)	Height: (c)	TF: (g1)	Weight:
590 mm	400 mm	120 mm	50 kg	9,00 kg



Special offer price

2-004210 Drawer 180 mm 58,00 € •

Length: (a)	Width: (b)	Height: (c)	TF: (g1)	Weight:
590 mm	400 mm	180 mm	50 kg	9,50 kg



Special offer price

2-004215 Drawer 240 mm 64,00 € •

Length: (a)	Width: (b)	Height: (c)	TF: (g1)	Weight:
590 mm	400 mm	240 mm	50 kg	10,00 kg

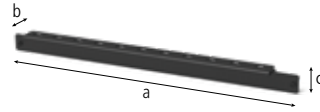


Special offer price

TF=Load capacity;



Clamp holder



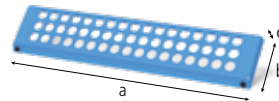
2-164030 **Clamp holder System 16** **19,00 € •**

Length: (a)	Width: (b)	Height: (c)	Weight:
580 mm	46 mm	39 mm	0,83 kg



Bolt and prism holder

Shelves, pin and prism holder and tool wall can be installed both left and right.



2-164035 **Bolt and prism holder System 16** **23,00 € •**

Length: (a)	Width: (b)	Height: (c)	Weight:
482 mm	20 mm	99 mm	0,74 kg



IN THE FIELD

SIEGMUND WORKSTATION IN ACTION



»» *With this Workstation I have a lot of space and I can clamp everything easily.*

[Florian Fleischmann metalworker at Stern Edelstahl GmbH]



STOPS

Eccentric Stop

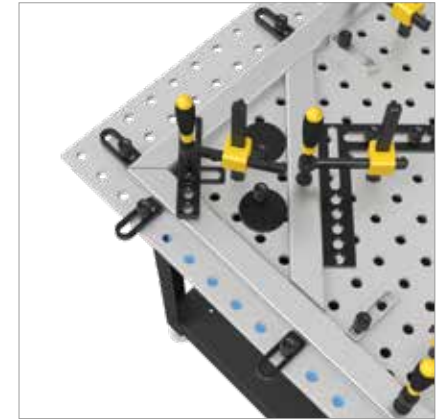
Eccentric Stops, perfectly suited for infinite adjustment of elements by simply twisting them, with minimum space requirements.



2-160403.N Eccentric Stop Ø 75 - nitrided 16,00 € •

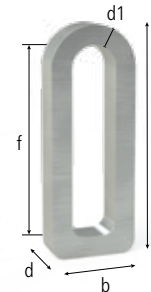
Ø: (o)	MS: (d)	Weight:
75 mm	12 mm	0,39 kg

MS=Material thickness;



Flex Stop 83 Aluminum

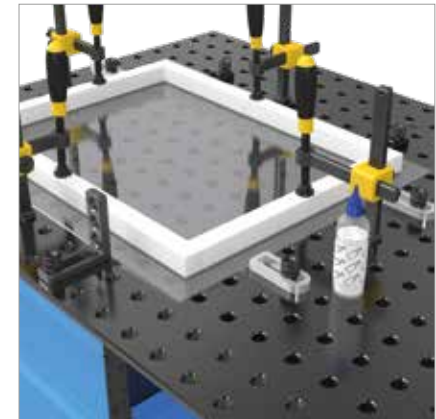
Flex Stop Aluminum, individually adjustable through the oblong slot. Due to its radiused clamping sides, it can be versatilely used in corners as well as freeform stop surfaces. The Flex Stop is favoured when working with stainless steel and in confined spaces.



2-160412 Flex Stop 12x83 - Aluminum 14,00 € •

Length: (a)	Width: (b)	MS: (d)	WS: (d1)	VB: (f)	Weight:
83 mm	31 mm	12 mm	8 mm	50 mm	0,05 kg

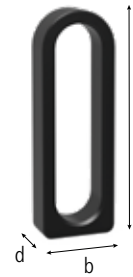
MS=Material thickness; WS=Wall thickness; VB=Adjusting range;



Glue plastic profiles

Universal Stop 80 L

Universal Stop 80 L, individually adjustable through the oblong hole within a range of 0-50 mm.



2-160410.N Universal Stop 80 L - nitrided 26,00 € •

Length: (a)	Width: (b)	MS: (d)	VB: (f)	Weight:
80 mm	30 mm	12 mm	50 mm	0,07 kg

MS=Material thickness; VB=Adjusting range;



Universal Stop 115 L

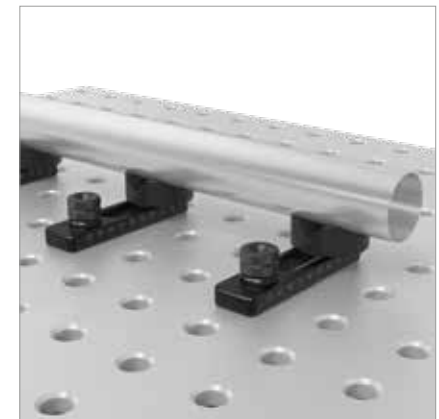
Universal Stop 115 L, fixed or variably adjustable, due to the combination of oblong slot and system bore holes (adjustment range 0-50 mm). It is also appropriate for use with prisms and adapters.



2-160420.N Universal Stop 115 L - nitrided 31,00 € •

Length: (a)	Width: (b)	MS: (d)	VB: (f)	Weight:
115 mm	30 mm	12 mm	50 mm	0,20 kg

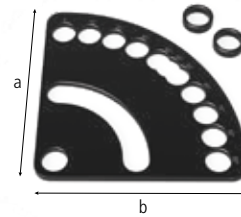
MS=Material thickness; VB=Adjusting range;



SQUARES

Angle Alignment Template

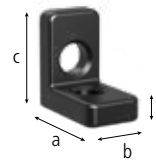
Angular Adjustment Template, enables precise adjustment, optional in 10° increments or continuously variable from 0-90°. Versatile application due to 1° precision scale.



2-160455.N	Angle Alignment Template - nitrided				33,00 € •
incl. 2x Spacer Sleeve					
Length: (a)	Width: (b)	MS: (d)	Weight:		
130 mm	130 mm	5 mm	0,40 kg		
MS=Material thickness;					

Stop and Clamping Square 50 L

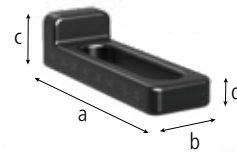
Stop and Clamping Square 50 L, applicable as a stop for large footprints. In addition, it is compatible with other squares. A height-adjustable surface can be created by combining it with a Stop and Clamping Square equipped with an oblong slot, e.g. 90 WL (Item No. 160111.N).



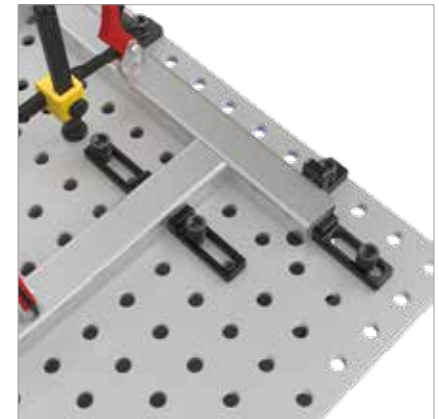
2-160105.N	Stop and Clamping Square 50 L - nitrided				27,00 € •
Length: (a)	Width: (b)	Height: (c)	MS: (d)	Weight:	
50 mm	30 mm	50 mm	12 mm	0,20 kg	
MS=Material thickness;					

Stop and Clamping Square 90 X

Stop and Clamping Square 90 X and 90 SL, applicable as a stop for large sections. In addition, it is compatible with all squares and can create a height-adjustable surface by clamping into the oblong slot.

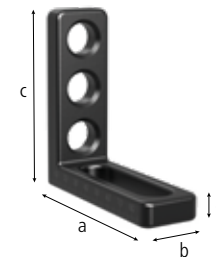


2-160108.N	Stop and Clamping Square 90 X - nitrided				31,00 € •
Standard with fine scaling on both sides					
Length: (a)	Width: (b)	Height: (c)	MS: (d)	Weight:	
90 mm	30 mm	25 mm	12 mm	0,19 kg	
MS=Material thickness;					

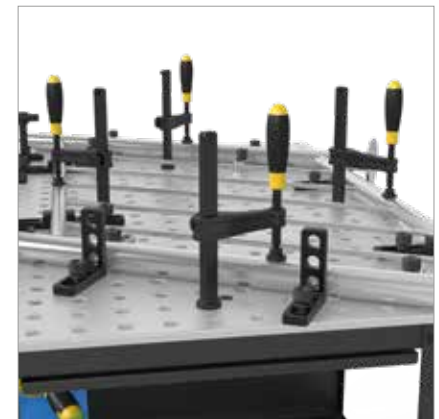


Stop and Clamping Square 90 L

Stop and Clamping Square 90 L, can be utilized as a multifunctional adjustable angle, by combining system bore holes and oblong slot. A height-adjustable support can be created, by combining the Stop and Clamping Square 50 L (Item No. 160105.N) and the Stop and Clamping Square 90 SL (Item No. 160109.N). It also functions well as a stop for large parts.



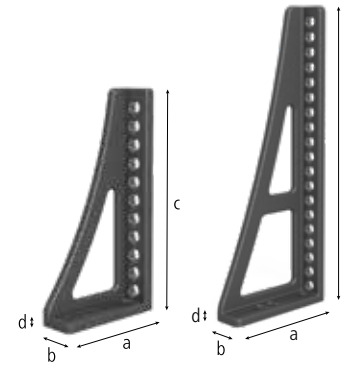
2-160110.N	Stop and Clamping Square 90 L - nitrided				43,00 € •
Length: (a)	Width: (b)	Height: (c)	MS: (d)	Weight:	
90 mm	30 mm	90 mm	12 mm	0,31 kg	
MS=Material thickness;					



SQUARES

Stop and Clamping Square 300 G / 500 G

Stop and Clamping Square 300 G / 500 G, can be fixed and variably adjusted due to the combination of system bore holes and the oblong slot. The versatile Square can also be used as table extension. This component is manufactured of high quality GGG40 ductile cast iron.



2-160162.N Stop and Clamping Square 300 G - nitrided 69,00 € •

stop on left

Length: (a)	Width: (b)	Height: (c)	MS: (d)	Weight:
150 mm	49 mm	300 mm	12 mm	2,51 kg



2-160164.N Stop and Clamping Square 500 G - nitrided 95,00 € •

stop on left

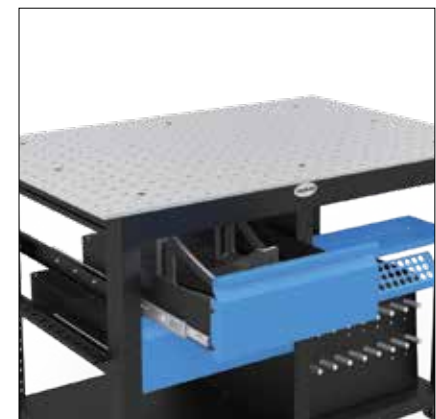
Length: (a)	Width: (b)	Height: (c)	MS: (d)	Weight:
195 mm	49 mm	500 mm	12 mm	4,56 kg



MS=Material thickness;

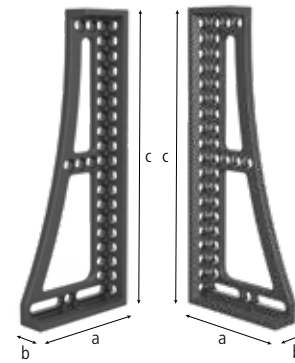


Glue glass (for aquarium)



Stop and Clamping Square 500 GK

Stop and Clamping Square 500 GK, opens up a multitude of clamping options, due to its three-dimensionality. It was specifically designed for heavy parts. It serves both as a stop as well as a table extension. In order to achieve maximum stability, the Stop and Clamping Square is manufactured of GGG40 ductile cast iron. Ordering in pairs is recommended.



2-160134.N Stop and Clamping Square 500 GK left - nitrided 143,00 € •

stop on left, standard with fine scale

Length: (a)	Width: (b)	Height: (c)	MS: (d)	Weight:
195 mm	49 mm	500 mm	14 mm	5,30 kg



2-160136.N Stop and Clamping Square 500 GK right - nitrided 143,00 € •

stop on right, standard with fine scale

Length: (a)	Width: (b)	Height: (c)	MS: (d)	Weight:
195 mm	49 mm	500 mm	14 mm	5,30 kg



MS=Material thickness;



BOLTS

Fast Clamping Bolt

Burnished Fast Clamping Bolt with twistlock, perfect connecting element between Siegmund components. It features especially large balls, which protect the bevel of the bore holes as a result of low surface pressure. The fourth ball located in the center, reduces internal friction and strengthens the power of the handwheel. The new design of the bolt is not equipped with O-rings, but it still is easy to clean. Clamping torque dependent on table type.



2-160510	Fast Clamping Bolt short - burnished	29,00 € ●
-----------------	---	------------------

for clamping 2 components, with screw top

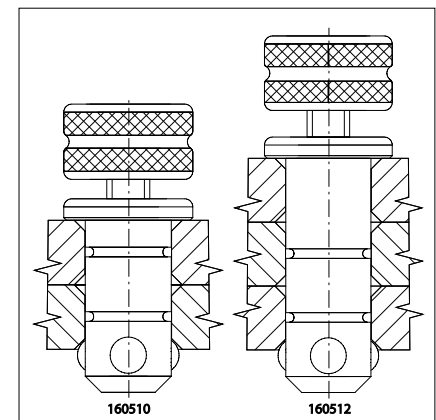
Length: (a)	Ø: (o)	SK:	AM:	ZK:	Weight:
53 mm	16 mm	55 kN	10 Nm	10 kN	0,08 kg

2-160512	Fast Clamping Bolt long - burnished	35,00 € ●
-----------------	--	------------------

for clamping 3 components, with screw top

Length: (a)	Ø: (o)	SK:	AM:	ZK:	Weight:
65 mm	16 mm	55 kN	10 Nm	10 kN	0,10 kg

SK=Shearing Force; AM=Tightening Torque; ZK=Tensile Force;



Fast Clamping Bolt, flat

Flat Burnished Clamping Bolt, mainly used for clamping of oblong holes. Like the countersunk bolt, it reduces protrusion. Ideal for cordless screwdriver with up to 10 Nm turning moment. Clamping torque dependent on table type.



2-160522	Fast Clamping Bolt, flat short - burnished	25,00 € •
-----------------	---	------------------

for clamping 2 components

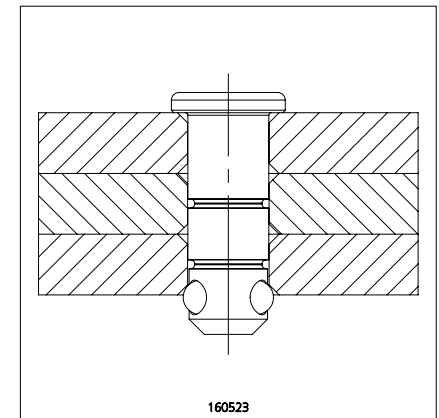
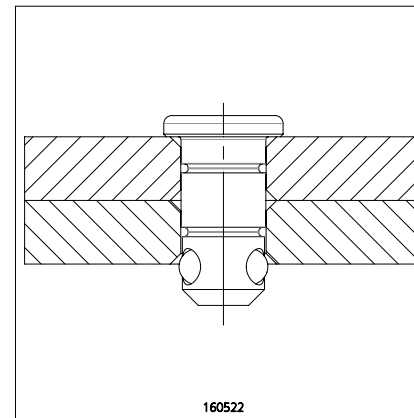
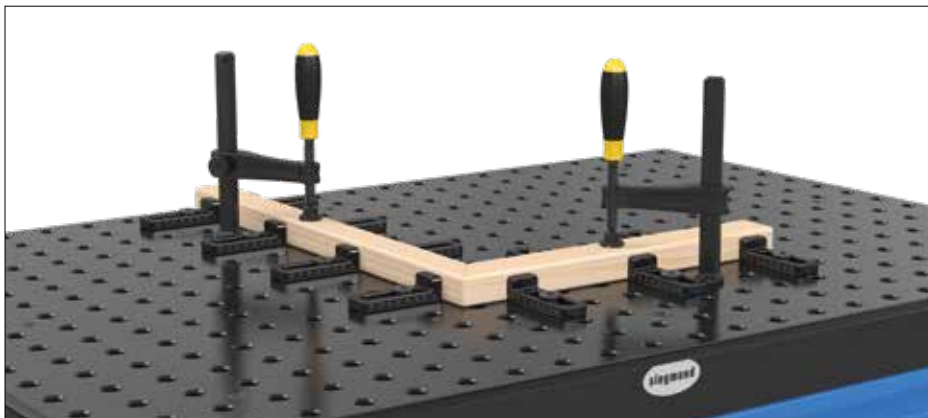
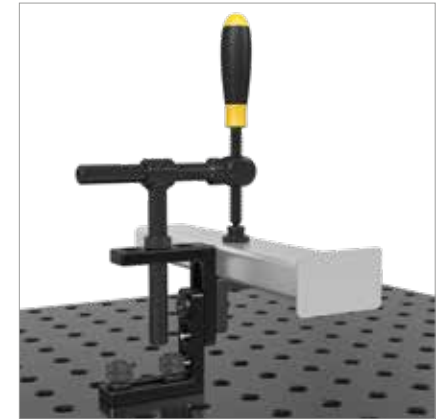
Length: (a)	Ø: (o)	SK:	AM:	ZK:	Weight:
36 mm	16 mm	55 kN	10 Nm	10 kN	0,05 kg

2-160523	Fast Clamping Bolt, flat long - burnished	31,00 € •
-----------------	--	------------------

for clamping 3 components

Length: (a)	Ø: (o)	SK:	AM:	ZK:	Weight:
48 mm	16 mm	55 kN	10 Nm	10 kN	0,08 kg

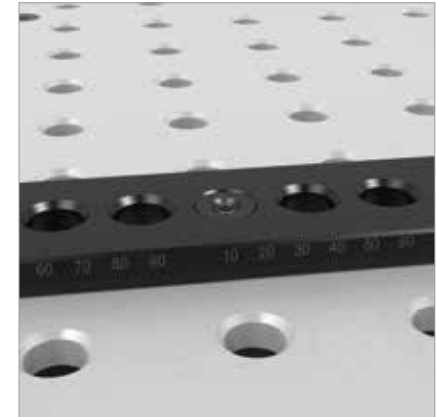
SK=Shearing Force; AM=Tightening Torque; ZK=Tensile Force;



BOLTS

Flush Mount Bolt

Flush Mount Bolt, used as a hidden connection between Siegmund elements. Its design corresponds with other connecting bolts with four balls. Its head disappears into the bore hole, to make it flush with the clamped component. The Flush Mount Bolt is not suitable for use in oblong slots. Clamping torque dependent on table type.



2-160528	Flush Mount Bolt short - burnished					24,00 € •
for clamping 2 components						
Length: (a)	Ø: (o)	SK:	AM:	ZK:	Weight:	
31 mm	16 mm	55 kN	10 Nm	3 kN	0,04 kg	
SK=Shearing Force; AM=Tightening Torque; ZK=Tensile Force;						

Positioning Bolt

Positioning Bolt, serves as an adjustment tool for squares that only require a clamping bolt for fastening, in order to cost-effectively substitute for a second clamping bolt. In addition, various squares can be formed by spading, e.g. 90° or 45°.



2-160540	Positioning Bolt - burnished		9,00 € •
Length: (a)	Ø: (o)	Weight:	
38 mm	16 mm	0,07 kg	

Connecting Bolt

Connecting Bolt, especially designed as a fixed long-term connection of large Siegmund Elements, e.g. tables or U-shaped squares. The countersunk Allen Wrench, and the ability of the clamping bolt to center itself, enable easy assembly. The flat head and the flat bolt contain a hexagon socket for clamping. The connecting bolt provides a sturdy screw Connection. The Connecting Bolt should not be used in oblong slots.



2-160560.N	Connecting Bolt short - nitrided					15,00 € •
for connecting 2 components, with Allen key						
Length: (a)	Ø: (o)	SK:	AM:	ZK:	Weight:	
25 mm	16 mm	50 kN	15 Nm	4 kN	0,03 kg	
SK=Shearing Force; AM=Tightening Torque; ZK=Tensile Force;						



Customer-side component

Magnetic Clamping Bolt

Magnetical Clamping Bolt, enables fast clamping without bolting or the use of tools. It is preferable for pressure-sensitive parts like thin sheet metal, as well as elements that cannot be resisted, e.g. enclosed sheet metal housing.



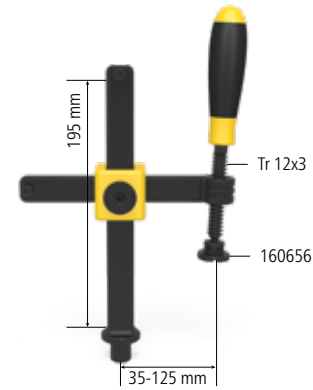
2-160740	Magnetic Clamping Bolt 34 - Aluminum		12,00 € •
Length of Shaft 12 mm			
Length: (a)	Ø: (o)	Weight:	
34 mm	16 mm	0,02 kg	



CLAMPS

Professional Screw Clamp

Professional Screw Clamp, enables fast, powerful and exact clamping with a variety of welding elements. Achieve maximum efficiency through time-saving, quick adjustments and effortless disassembly. For individual modification, we offer special lengths of horizontal and vertical bars. The dimensions of the horizontal bar are 20x10 mm. The dimensions of the vertical bar are 20x13 mm, which is additionally reinforced. A long lifetime and efficiency is guaranteed by the burnished material, as well as the option to order spare parts individually. With the new handwheel on the cast iron cross, the height can be adjusted within seconds. To safely fasten every kind of welding element, the prisms are interchangeable. For suitable prisms, see page 46.



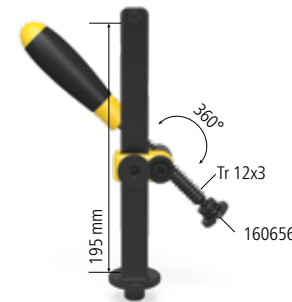
2-160610 Professional Screw Clamp - burnished / nitrided 52,00 € ●

maximum load	Width: (b)	Height: (c)	Weight:
2,5 kN	163 mm	200 mm	1,20 kg



Professional Screw Clamp 45°/90°

Professional Screw Clamp 45°/90°, replaces standard screw clamps with 45° or 90°. It sets new standards due to its infinitely variable adjustment range from 0°-360°. The dimensions of the appropriate flat bar are 20x13 mm. The new handwheel on the cast iron cross enables height adjustment within seconds. To safely fasten every kind of welding element, the prisms are interchangeable. For suitable prisms, see page 46.



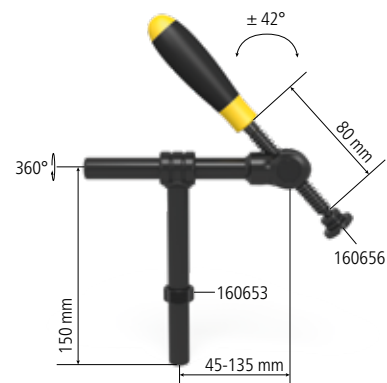
2-160630 Professional Screw Clamp 45°/90° - burnished 49,00 € ●

maximum load	Height: (c)	Weight:
2,5 kN	200 mm	0,75 kg



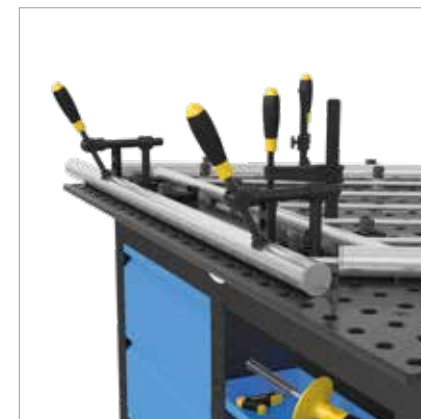
Pipe Clamp Universal

Pipe Clamp Universal, with swiveling Arbor enables flexible clamping at a + / - 42 degree angle. This Pipe Clamp combines the advantages of conventional 45° or 90° clamps. It can be used at an angle as well as straight, resulting in additional clamping options and a more variable clamping range. The horizontal round tube with a length of 150 mm is fully adjustable and creates, combined with the swiveling arbor, a variable clamping range. The length of the vertical pipe is 150 mm. A long lifetime and efficiency is guaranteed by the burnished material, as well as the option to order replacement parts individually. To integrate the vertical pipe into the system bore holes, an adjusting ring is used (Item No. 160653). To safely fasten every kind of welding element, the prisms are interchangeable. For suitable prisms, see page 46.



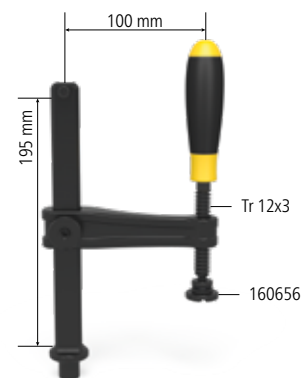
2-160604 Pipe Clamp Universal - burnished 52,00 € •

maximum load	Width: (b)	Height: (c)	Weight:
0,6 kN	165 mm	150 mm	0,80 kg



Basic Screw Clamp

Basic Screw Clamp, serves as a simple and sturdy clamping element. The distance between the Screw Clamp and the welding element is adjustable by rotation. By simply changing the prisms, different materials can be fastened. To safely fasten every kind of welding element, the prisms are interchangeable. For suitable prisms, see page 46.



2-160620 Basic Screw Clamp - burnished 41,00 € •

maximum load	Width: (b)	Height: (c)	Weight:
2,5 kN	128 mm	200 mm	0,95 kg



PRISMS

Prism for Screw Clamps

Prism for Screw Clamps, suitable for clamping of round and square pipes. Due to its location at the ball head of the threaded arbor, the prism is movable and can therefore be fixed precisely on the workpiece. It is replaced by simply taking it off the ball head.



2-160656	Prism for Screw Clamps - burnished / nitrided	7,00 € ●
for Arbor with Trapezoid thread 12 x 3 mm		
Height: (c)	Ø: (o)	Weight:
14 mm	25 mm	0,02 kg

Duo Prism Ø 25 for Screw Clamps

Duo Prism - due to its dual function compatible with all 16 mm bore holes and screw clamps. The 120° angle creates a stable support surface for all round pipes. The Prism can also be used for flat welding assemblies, due to its leveled corners.



2-160650	Duo Prism Ø 25 - burnished / nitrided	10,00 € ●
for Arbor with Trapezoid thread 12 x 3 mm, without O-Ring		
Height: (c)	Ø: (o)	Weight:
19 mm	25 mm	0,04 kg

Vario Prism Ø 50 90°/120° with screwed-in collar

Vario Prism Ø 50, suitable for both rounded and 45° twisted square pipes with a diameter up to 80 mm, due to its 90° and 120° angles. In addition, the prism can be universally used for all 16 mm bore holes. The prism with screwed-in collar can be fastened in the bore holes. For free positioning of the prism independent of the hole grid you can easily unscrew the collar from the prism. If necessary, the working height of the prism can be varied by a prism extension.



2-160645.1.N Vario Prism Ø 50 90°/120° with screwed-in collar - nitrided 31,00 € •

Height: (c)	Ø: (o)	Weight:
20 mm	50 mm	0,21 kg

NEW
◆
N
BAR
 Now nitrided



ACCESSORIES

Reduction Bushing

Reduction Bushing, especially developed for clamping components of bigger systems onto smaller systems. The Reducing Bushing can be fixed in the components and thereby giving the option to clamp them with bolts of smaller systems. The Reducing Bushing is suited for bore holes as well as oblong slots.



2-000546 **Reduction Bushing 28 -> 16 - burnished** **11,00 € ●**

Length: (a)	Ø: (o)	Weight:
29 mm	36 mm	0,07 kg



Allen Wrench

Allen Key 4, the practical tool to tighten bolts quickly and safely. The Allen Key 4 is perfect for clamping of clamping bolts and screw clamps.



2-160852 **Allen Wrench 4** **9,00 € ●**

yellow
Weight:
0,06 kg



Burner Holder

Burner Holder, can be positioned in each system bore hole and offers an attachment for your welding burner.



2-160920	Burner Holder - burnished	18,00 € •
-----------------	----------------------------------	------------------

Height: (c)	Weight:
200 mm	0,27 kg



Brush

Brush with a diameter of 17 mm, especially developed for removing grime in 16 mm bore holes effortlessly.



2-160820	Brush Ø 17 with protecting cover	13,00 € •
-----------------	---	------------------

Ø: (o)	Weight:
17 mm	0,05 kg



ACCESSORIES

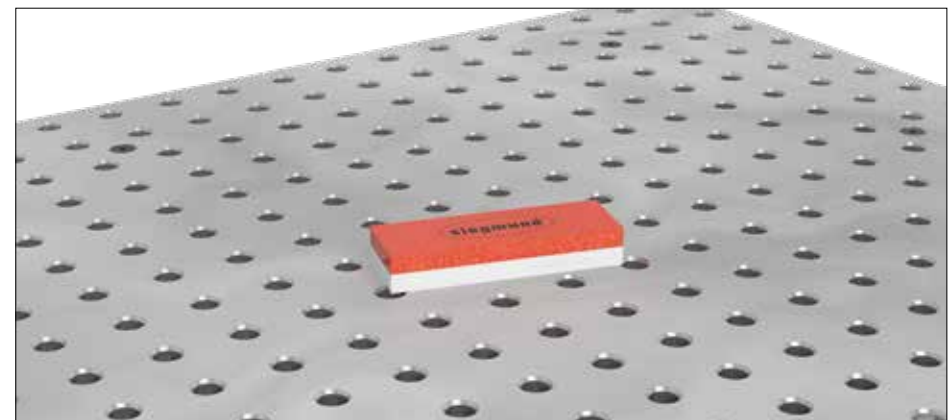
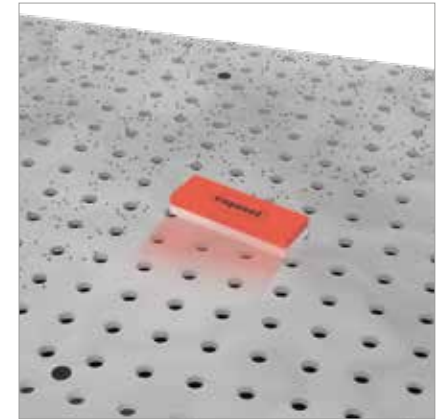
Oilstone

To maintain the smooth surface of the welding table and other Siegmund elements, a flat oil stone should be used exclusively, in order to remove damages or welding spatters. We strongly advise against the use of other abrasives and grinding machines, like flex discs. With the Siegmund Oilstone, you have the ideal tool to maintain the smoothness of the table surface. Suitable for non-nitrided welding tables and accessories.



2-000942 Oilstone 150x50x25 13,00 € •

Length: (a)	Width: (b)	Height: (c)	Weight:
150 mm	50 mm	25 mm	0,42 kg



CleanBasic

CleanBasic is a water-based cleaner, suited for the daily cleaning of the table. Under regular conditions, the anti-corrosive ingredients prevent rust. However, if rust should appear as a result of extremely high humidity, a water-based cleaner should not be used. The material safety data sheet is available online.



2-000914	CleanBasic 1 liter spray bottle	11,00 € •
	spray bottle 1 liter	
	Weight:	
	1,10 kg	
2-000915	CleanBasic 5 liter	33,00 € •
	canister 5 liter	
	Weight:	
	5,20 kg	



ACCESSORIES

Anti-Spatter Liquid with Corrosion Protection

Anti-Spatter, non-flammable, water soluble anti-spatter agent, preventing the welding table from welding spatter burn-in. By using Anti-Spatter, no toxic or harmful vapours or corrosive particles are generated. Anti-Spatter can also be used on welding elements (e.g. steel, stainless steel, aluminum, galvanized parts). Prior to varnishing welding parts, any dried residue has to be removed with an appropriate cleaner. Following is recommended: Water, water-based, acidic and neutral cleaners (e.g. 2% Anti-Spatter added to water). Not suitable are degreasers or chlorinated hydrocarbon. Anti-Spatter should be applied primarily using an aerosol can (alternatively with a brush, rag, etc.). The Anti-Spatter is equally effective in damp and dried conditions. The welding spatters can be simply wiped off after welding. The yearly cost of Anti-Spatter, used on a daily basis, amount to 20-30 € per square meter. The material safety data sheet is available online.



2-000924	Anti-Spatter Liquid with Corrosion Protection 1 liter spray bottle	13,00 € •
	spray bottle 1 liter	
	Weight:	
	1,10 kg	
2-000929	Anti-Spatter Liquid with Corrosion Protection 1 liter pump bottle	29,00 € •
	pump bottle 1 liter	
	Weight:	
	1,10 kg	
2-000926	Anti-Spatter Liquid with Corrosion Protection 5 liter	39,00 € •
	canister 5 liter	
	Weight:	
	5,20 kg	





IN THE FIELD

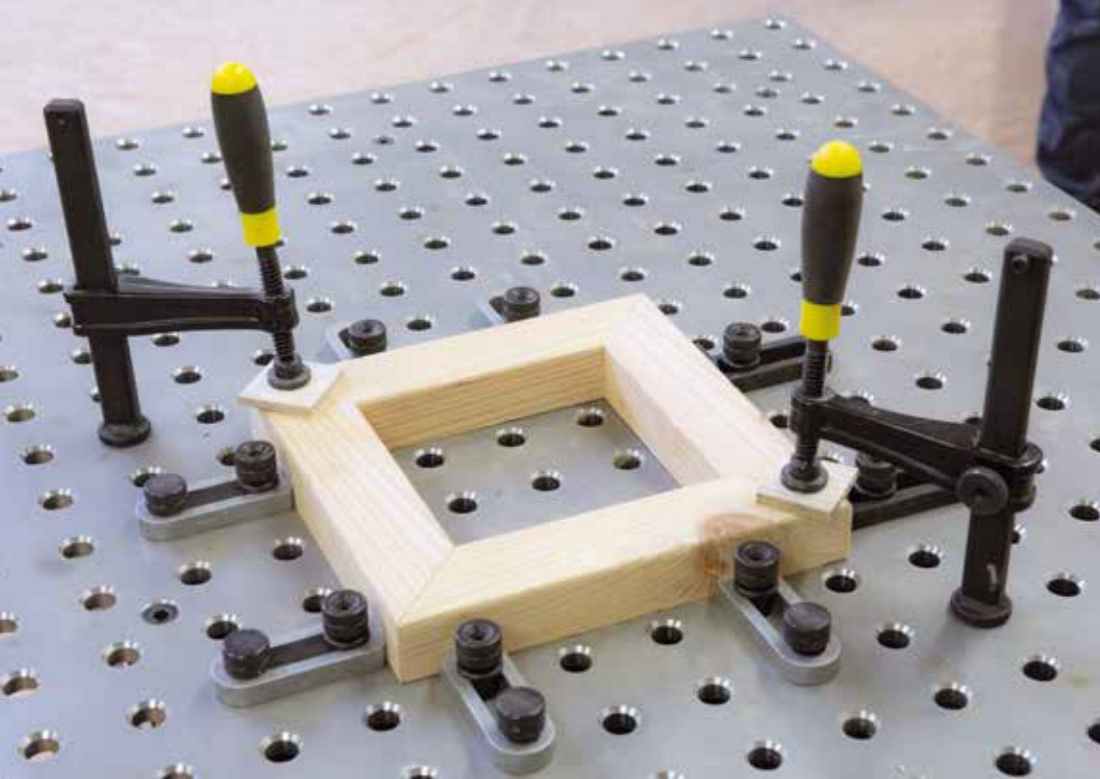
SIEGMUND WORKSTATION IN ACTION

WOODWORKING – HABITAT AUGSBURG E.V., GERMANY

The Habitat Augsburg e.V. enables experts as well laypeople to realize their projects by helping them with the idea, planning and the implementation. They support them by providing professional equipment and volunteer consulting engineers, who offer guidance and active support. In this way, the Habitat forms a space, where users can try out new things, learn together and from each other and enjoy creativity.

At the moment the Habitat has a fully equipped workshop including Siegmund Workstation. It is planned to expand the range of equipment, for example with a metalworking shop, a fabrication laboratory, coworking-spaces and more.





IN THE FIELD

SIEGMUND WORKSTATION IN ACTION

SHEET METAL PROCESSING AND PIPELINE CONSTRUCTION – STERN EDELSTAHL GMBH, GERMANY

The company "Stern Edelstahl GmbH", based in Germany, draws on the experience of many generations and offers a competent service in the areas of pipeline construction, plant construction, water and sewage technology as well as sheet metal processing. In order to consistently offer their customers the highest quality and reliability, Stern Edelstahl manufactures its products on Siegmund welding tables and the new Siegmund Workstation.

On the pictures you can see the production of piping parts as well as sheet metal assemblies. All components can be clamped and welded together on the Workstation.





STEIN
ROHM

siegmond

ROHM

IN THE FIELD

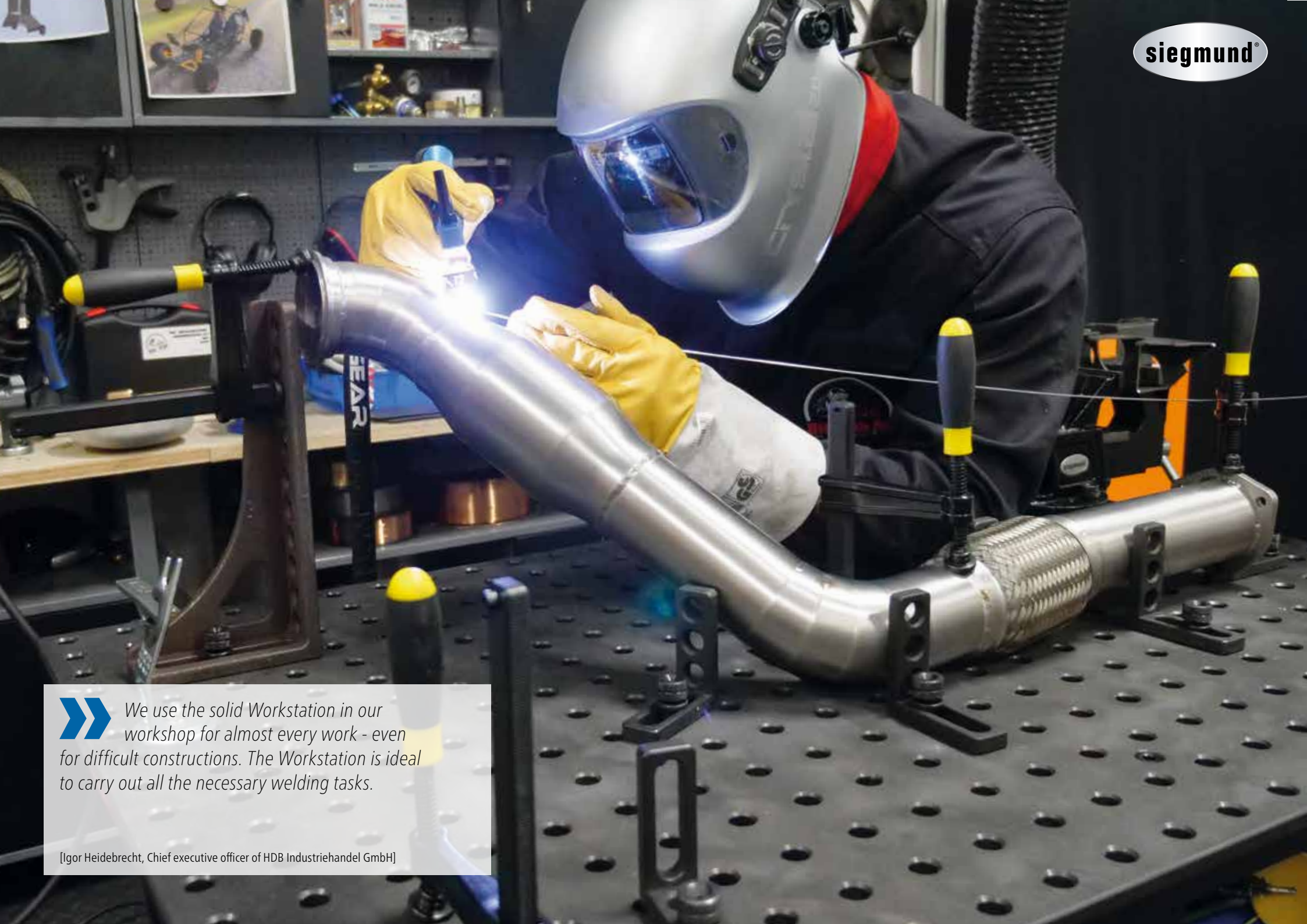
SIEGMUND WORKSTATION IN ACTION

INFLUENCER FROM THE WELDING AND METAL TECHNOLOGY AREA – HDB INDUSTRIEHANDEL GMBH, GERMANY

The company has approx. 10 employees, consisting of sales department, customer support as well as service technicians who always ensure optimal service for their customers. Warehouse, offices, demonstration room as well as a service station are available in large areas to provide the best service possible .

HDB Schweissshop deals with welding technology of all kind. With their YouTube channel, they offer assistance for welders, whether tutorials or explanatory videos on TIG, MAG, MIG, Ehand, plasma welding and cutting. Living the lifestyle of a welder, they show what is possible in welding technology and that welding is a craftmanship.





We use the solid Workstation in our workshop for almost every work - even for difficult constructions. The Workstation is ideal to carry out all the necessary welding tasks.

[Igor Heidebrecht, Chief executive officer of HDB Industriehandel GmbH]

IN THE FIELD

SIEGMUND WORKSTATION IN ACTION

THE NEW REVOLUTIONARY WORKSTATION

With the new Siegmund Workstation you create your perfect workplace in a modular system. The Siegmund Workstation can be adapted and expanded to fit your individual needs. Whether sawing, drilling or welding – the absolute all-rounder in every workshop!
When working with wood or metals the Workstation offers maximum versatility to expand all ideas and projects.



siegmund®



WWW.SIEGMUND.COM



FURTHER SYSTEMS



SIEGMUND WORKSTATION SYSTEM 28

Material thickness Perforated plate 15 mm
Borehole Ø 28 mm
Boreholes on the surface 100x100 mm grid



www.siegmund.com/workstation-28



SIEGMUND WORKSTATION SYSTEM 22

Material thickness Perforated plate 18 mm
Borehole Ø 22 mm
Boreholes on the surface 100x100 mm grid



www.siegmund.com/workstation-22



SIEGMUND WELDING TABLES AND CLAMPING SYSTEMS

Complete overview of our whole product range

Just click on www.siegmund.com.
We look forward to you!



www.siegmund.com

WORKSTATION LIVE

EXPERIENCE THE WORKSTATION LIVE

Convince yourself of the quality of our products and visit us on our exhibition booth.
All exhibition dates in Germany and around the world can be found in our exhibition calendar.



www.siegmund.com/Vexhibition-info



VIDEOS ABOUT SIEGMUND WORKSTATION

Many product and application videos as well as movies about our trade fair appearances or the extraordinary endurance test of our extremely tough Professional Extreme welding table.

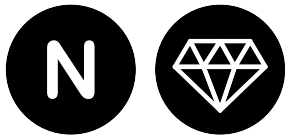


EXPLANATIONS & ICONS



RAPID IDENTIFICATION OF SIEGMUND QUALITY FEATURES

New, consolidated product identification in one place.



SCRATCH RESISTANCE, WELDING SPATTER AND CORROSION PROTECTION

Nitriding creates scratch-resistant and corrosion-resistant surfaces and when used with our anti-spatter spray, protects against weld spatter adhesion.



SCALE

The scaling makes precise setting and clamping of your workpiece easier.



SURFACE SMOOTHING

BAR-coating (Black-Anti-Rust-coating) creates a smooth surface and increases the rust protection.



ALUMINUM

These products are available in aluminum for stainless steel processing.

SIEGMUND WORKSTATION





Follow us:



siegmundgroup



bernd_siegmund_gmbh



siegmundtables



berndsiegmundgmbh

YOUR CONTACT PERSON:

PRODUCER:

Bernd Siegmund GmbH

Landsberger Str. 180
86507 Oberottmarshausen
Germany (Bavaria)
Phone (0049) 0 82 03 / 96 07 - 0
Fax (0049) 0 82 03 / 96 07 - 33
E-Mail: info@siegmund.com
www.siegmund.com



WS-EN 1-2019 | Valid from 01.05.2019

Please note that all prices do not include sales tax and costs for packaging and freight. Errors and technical improvement may change these data. Our General Terms and Conditions apply. Errors and price changes reserved.

All texts, pictures and design elements are copyrighted by the Bernd Siegmund GmbH. No part of this flyer may be edited analogously or digital or in another mode, may be multiplied or published out of the flyer without written approval of the legal owner. Offences are prosecuted.